

Skybay Round High Bay

Highly energy efficient -> up to 160 lm/w

100W/120W/150W/200W/240W

Features

- Highly energy efficient -> up to 160 lm/w
- High Luminous flux -> up to 35000 lm
- Perfectly suitable for industrial use due to IP65
- Space between driver housing and lamp body to prevent heat accumulation
- D-Mark tested for the use in paper production, wood processing etc.
- 5 Years warranty

Options

- Optional Mean well driver available
- 1-10V dimmable and DALI available
- Philips and Nichia chips available (standard is Philips)
- Different covers available: clear glass, clear PC and PMMA lens
- Additional reflector is available
- Microwave motion sensor available
- Mounting bracket for ceiling or wall installation
- Zigbee is available

Area of application

- Factories and warehouses
- High rooms and halls
- Exhibition- & showrooms
- Barns and riding halls

Certificates

- American market: **UL, DLC Premium, cUL**
- European market: **TUV, GS, CB, CE (EMC, LVD, RoHS), D-Mark**
- Australian market: **SAA, C-Tick, RCM**

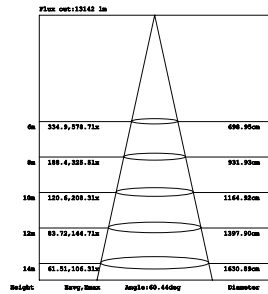
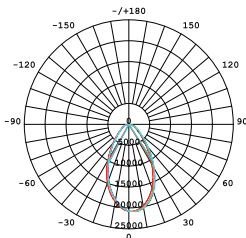


LUX Skybays are designed for industrial lighting adopting the newest LED lighting technology, with longer lifespan, lower maintenance cost and higher efficiency. Thanks to several different covers, lenses and reflectors these UFO high bay lights are very well suited for most factories, warehouses, Exhibition halls and showrooms. High grade materials and perfect workmanship provide excellent cooling abilities and a long lifespan. With 160lm/w and up to 35000 lumen they provide a very efficient way to replace all sorts of traditional HID lamps.

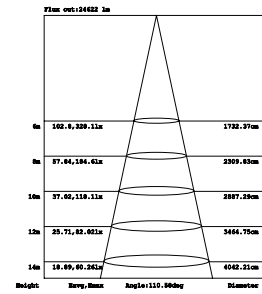
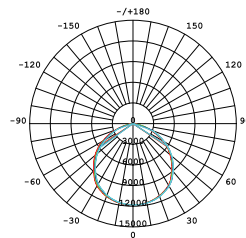


Light Distribution Curve and Average E (LX) Figure--5000K

240W/60°



240W/110°



Basic Specifications

Standard lumen (125lm~130lm/W)

Model	Size	Nominal Wattages (W)	Nominal Voltage	Rated luminous efficacy (lm/w)	Nominal luminous flux(lumen)	Beam Angle	LED Quantity	CRI
HBR-100W	Φ280*143mm	100	AC100~277V 50~60Hz	125±5	12500±500	110°	140PCS EMC3030	>70Ra
HBR-120W	Φ280*143mm	120		125±5	15000±500		140PCS EMC3030	
HBR-150W	Φ320*156mm	150		125±5	19000±750		196PCS EMC3030	
HBR-200W	Φ365*156mm	200		125±5	25000±1000		252PCS EMC3030	
HBR-240W	Φ400*156mm	240		125±5	30000±1200		252PCS EMC3030	

Lumen Plus (140lm~150lm/W)

Model	Size	Nominal Wattages (W)	Nominal Voltage	Rated luminous efficacy (lm/w)	Nominal luminous flux(lumen)	Beam Angle	LED Quantity	CRI
HBR-100W Lumen plus	Φ280*143mm	100	AC100~277V 50~60Hz	145±5	14500±500	110°	196PCS EMC3030	>70Ra
HBR-120W Lumen plus	Φ280*143mm	120		145±5	17500±600		196PCS EMC3030	
HBR-150W Lumen plus	Φ320*156mm	150		145±5	21000±750		252PCS EMC3030	
HBR-200W Lumen plus	Φ365*156mm	200		145±5	28000±1000		336PCS EMC3030	
HBR-240W Lumen plus	Φ400*156mm	240		145±5	33600±1200		336PCS EMC3030	

Electrical datas

Operating frequency	47-63Hz	Available light colors	Warm white; Natural white; daylight white
Type of current	AC 100~277V	Available color temperatures	3000K;4000K;5000K;6000K
Power factor λ	>0.9	Color rendering index Ra	>70
Efficiency in %	>92%	Standard deviation of color matching	< 3
Start time (0.2s / 0.5s / ...)	0.1S	UGR (Unified Glare Rating)	< 25
Warm-up time to 60% (1.5s / 2s / ...)	0.5S	Available beam angles	110°/60°

Photometrical data

Standards & Certification

Type of protection	Ip65	Operating temp	-20~+69 °C
Tested dielectric strength	3.75KVac	Ambient temperature	-30~+50 °C
Safety features features	Open circuit protection; Short circuit protection; Overvoltage protection	Storage temperature	-40~+80 °C
Certificates	American market: UL, DLC Premium, dJL European market: TUV, GS, CB, CE, D-Mark Australian market: SAA, Ctick, RCM		
Energy efficiency class	A+ & A++		

Temperatures & operating conditions

Lifespan

Rated nominal Lifetime	50.000 hours	Base/Socket	Directly wired
Switching cycles	100.000 times	Dimmable	1-10V dimmable, DALI dimmable,
Lumen maintenance at e.o.l.	70%		

Features/Capabilities and additional product data

Packing Information

Model	Dimension(mm)	CTN SIZE(CM)	QTY/CTN	Net Weight/pcs(kg)	Gross Weight /CTN(kg)
HBR-100W/120W	Φ280*185	34*34*23	1PCS	3.5	4.8
HBR-150W	Φ320*198	42*34*23	1PCS	5.3	6.6
HBR-200W	Φ365*200	44*44*24	1PCS	7.0	8.5
HBR-240W	Φ400*218	48*44*24	1PCS	9.0	10.8

Exploded drawing

An insulating plate separates the driver housing from the die-cast heat sink. This provides up to 5°C lower driver temperature which assures a long lifespan.

The robust and well-designed die-cast aluminum body provides perfect heat dissipation. It is treated with a black epoxy powder coating

Lm80 Philips SMD3030 LED chips provide up to 160lm/w system efficiency for the whole light



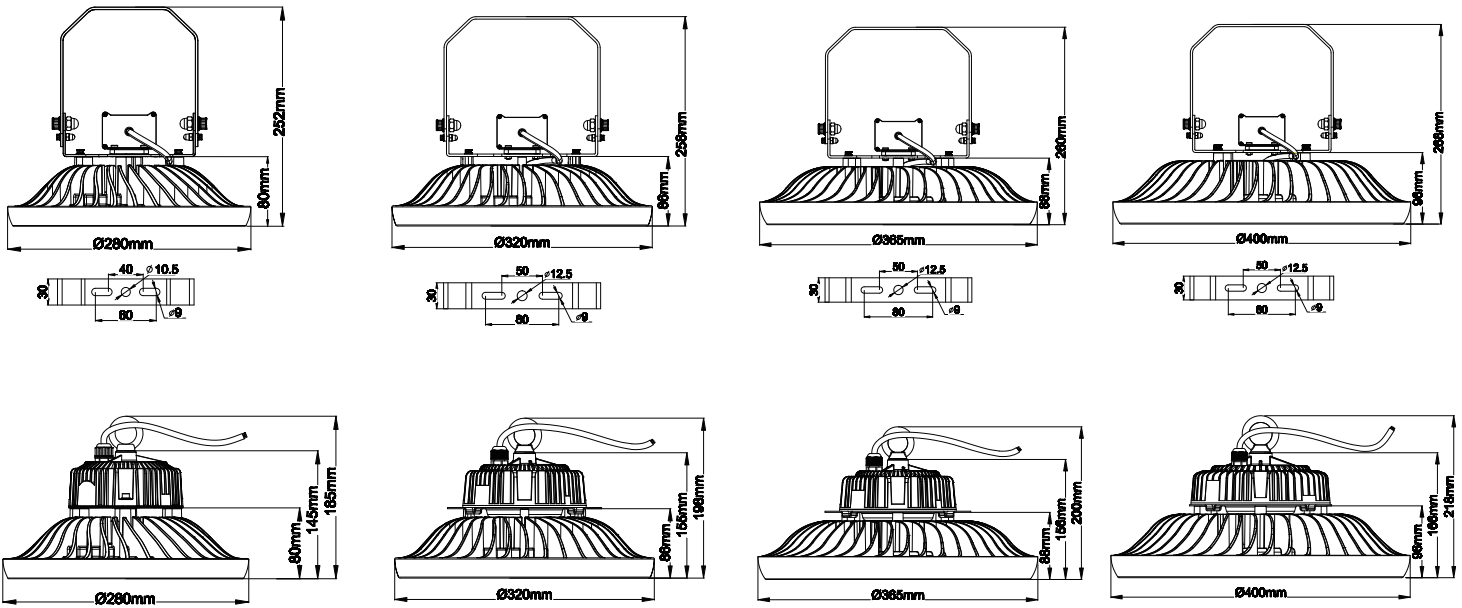
High grade cooling paste provides an excellent heat transition from the aluminum LED PCB to the housing

A double sided and water-proof silicone seal assures a high IP grade

Different covers available: clear glass, clear PC and PMMA lens for a precise light distribution in all situations

Rust-free and non-corroding stainless steel screws are used to secure the lens

Dimension



Included accessories



This mounting hook is included in the pricing for the round driver. It can be screwed on the top of the driver casing allowing for a quick and easy suspended installation.



This bracket for wall- or ceiling mounting is included in the pricing for the square driver. It cannot be used on the round-driver version.

Optional accessories



Our Skybay High bay series is available with 1-10V dimmable drivers from FYT or from Meanwell. Upon request we can also provide DALI compatible drivers.



The Optional Merrytek microwave motion sensor has a detection range of around 15m and an IP grade of IP65. Pricing upon request.



This optional reflector can provide a more traditional look for this High bay series. It also can help lowering the glaring.



We can provide Zigbee controller & receiver for this product. Technical details and pricing upon request.



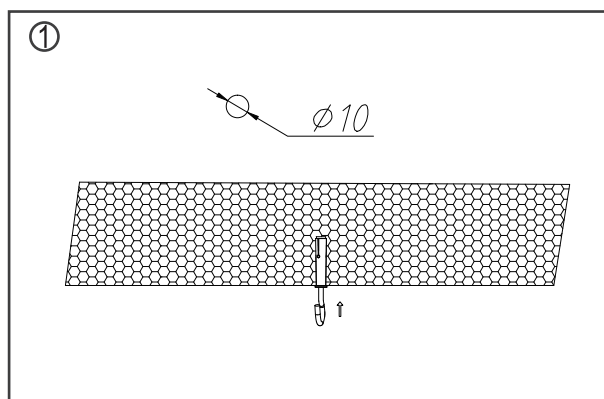
Our standard lenses are made out of PC (milky or clear) and glass. We also offer PMMA lenses for 60° beam angel.

Application and safety notes

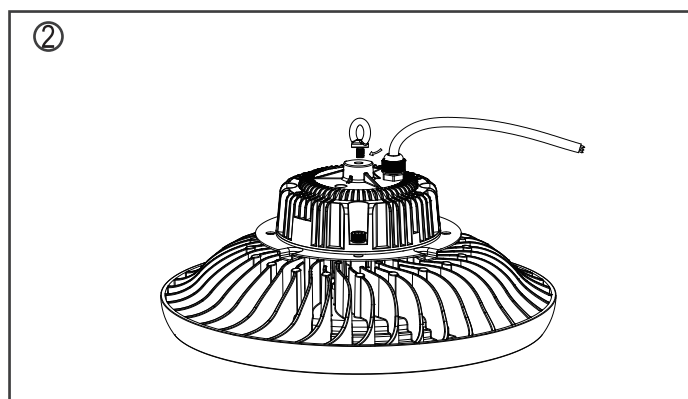
- Carefully read and follow all warnings and instructions before installing or servicing the luminaire.
- The installation should be done by an individual familiar with the construction and operation of the luminaire.
- The installation of this luminaire must be in accordance with national and local building and electrical codes.
- The product must not be damaged or operated in a damaged condition.
- This luminaire must be directly wired on line. Any ballast or other power device previously used with the replaced luminaire must be removed.
- Between the luminaire and any possibly flammable material must be an appropriate safety space (at least 20cm).
- The luminaire must not be covered with heat insulating materials.
- Always provide proper ventilation around the luminaire and do not exceed the maximum ambient temperature.
- Compared to traditional lights the characteristic light distribution of this LED luminaire may differ. In order to be sure to meet your lighting requirements a photometric check of the installation is recommended.

Installation Instructions for suspended use

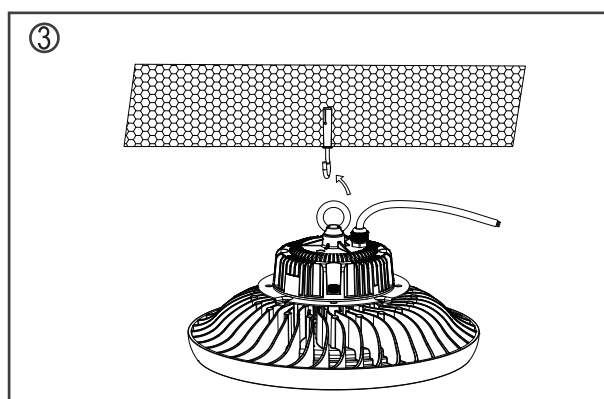
- The modification must be done by qualified personal
- Before you start make sure that the supply voltage is disconnected so you can work safely
- Drill a hole in the ceiling at the position you want the light to be installed and put in a screws/hook
- Place the hanging rope/chain on the hook and adjust the length
- Hang the luminaire on the rope by using the hook mounted on the top of the luminaire
- Connect the driver to the power line



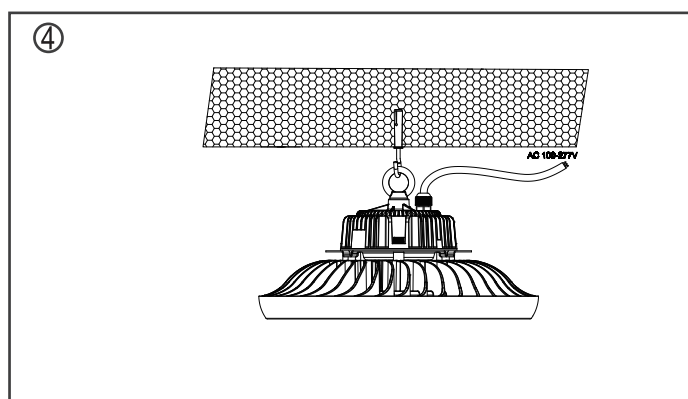
Place the screw in the hole you drilled



Screw the hook on the top of the luminaire



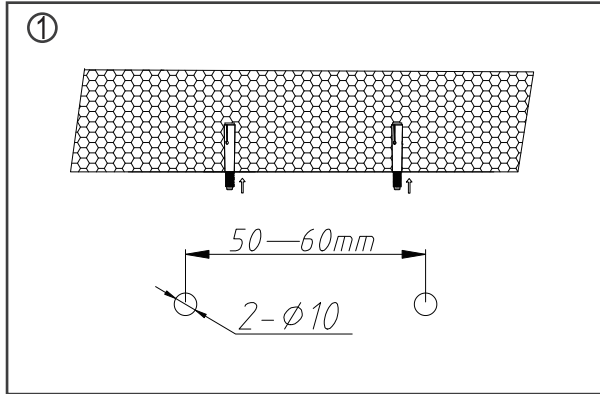
Hang the luminaire on a rope or directly at the ceiling



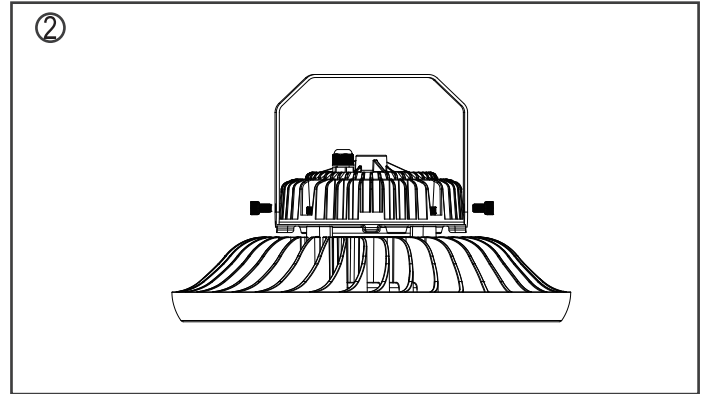
L – Brown N – Neutral PE – Green-Yellow

Installation Instructions for Surface mounting

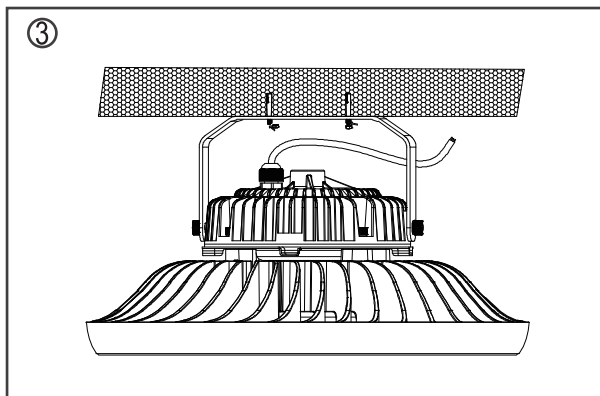
- The modification must be done by qualified personal
- Before you start make sure that the supply voltage is disconnected so you can work safely
- Drill two 10mm holes in the ceiling at the position you want the light to be installed and put in the screws
- Screw the luminaire tightly at the ceiling
- Connect the driver to the power line.



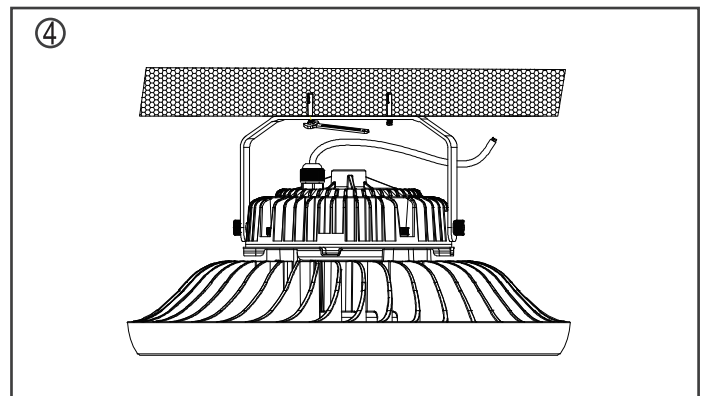
Adjust the spacing between the holes according to your installation situation



Screw the bracket on the top of the luminaire



Screw the luminaire tightly to the ceiling



L – Brown N – Neutral PE – Green-Yellow

Maintenance

- To avoid injuries, disconnect power to the light and allow the unit to cool down before performing maintenance. -
- ⚠ **Warning:** No user serviceable parts inside. Risk of electric shock. Removal of the lens will void the warranty. -
- Perform visual, mechanical and electrical inspections on a regular basis. We recommend routine checks to be made on an annual basis. Frequency of use and environment should determine this.
- The lens should be cleaned periodically as needed to ensure continued photometric performance. Clean the lens with a damp, non-abrasive, lint-free cloth. If not sufficient, use mild soap or a liquid cleaner. Do not use an abrasive, strong alkaline or acid cleaner as damage may occur.
- Inspect the cooling surfaces and fins on the luminaire to ensure that they are free of any obstructions or contamination (i.e. excessive dust build-up). Clean with a non-abrasive cloth if needed.

All statements, technical information and recommendations contained in this document are based on information and tests we believe to be reliable. The accuracy or completeness thereof is not guaranteed. We reserve the right to revise or update this document without notice. Since the conditions of use are outside our control, the purchaser should determine the suitability of the product for its intended use and assumes all risk and liability whatsoever in connection therewith.